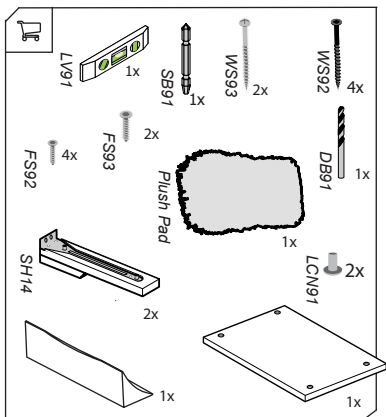
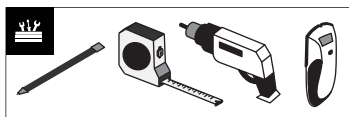
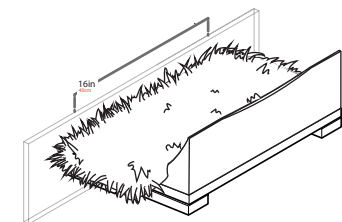
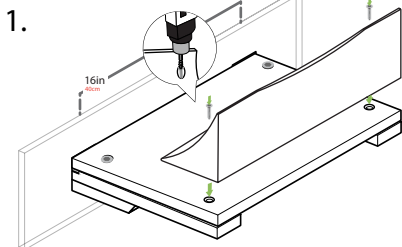


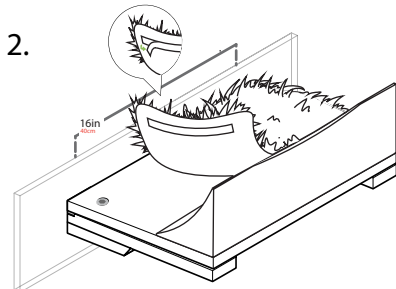
# The Nest Cat Bed



Please note these steps come after mounting the shelf, which is covered in the 18" shelf mounting instructions.

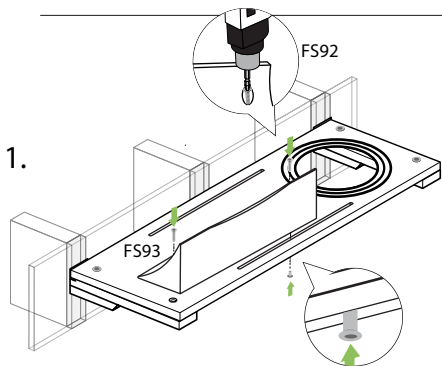
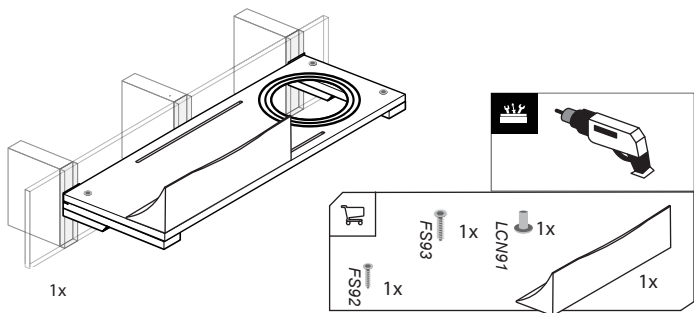


Attach the ledge to the front of the shelf using 2 FS93 bolts.

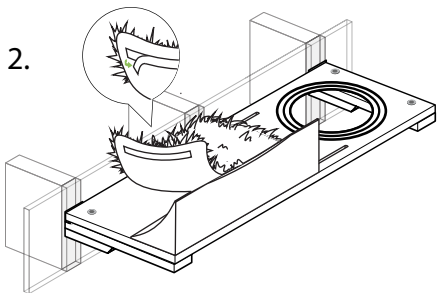


Peel adhesive backing from faux fur pad and adhere to the bed.

## Attaching Ledge to 34in shelves



Anytime you're attaching to a hole shared with a plank bottom, use an FS93 bolt. If you're installing to a slot, use a cap nut and FS92 bolt.



If you also have a faux fur pad, peel adhesive backing and adhere to the bed.